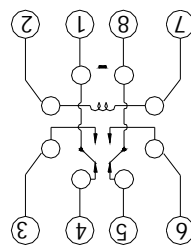
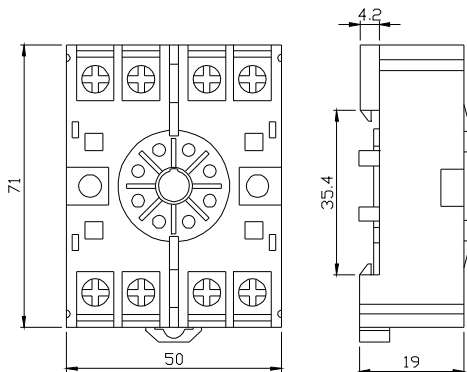


OUTLINE

DRILLING PLAN

WIRING DIAGRAMS

P2CF-08

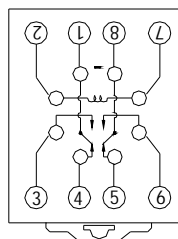
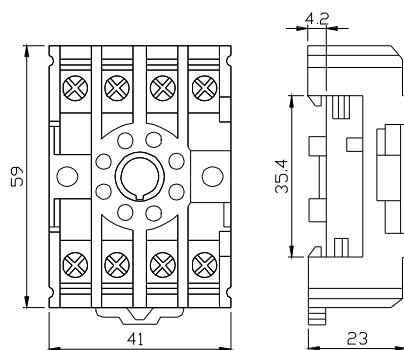


OUTLINE

DRILLING PLAN

WIRING DIAGRAMS

PF085A

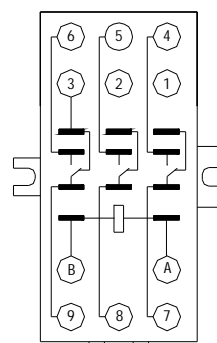
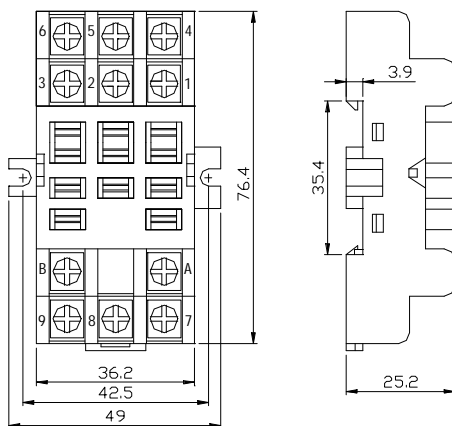


OUTLINE

DRILLING PLAN

WIRING DIAGRAMS

NDSQ-11



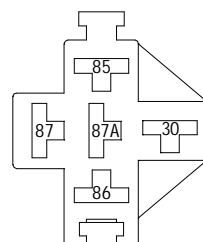
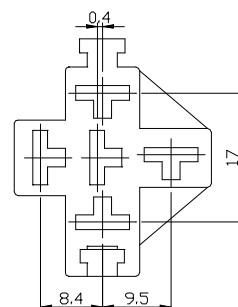
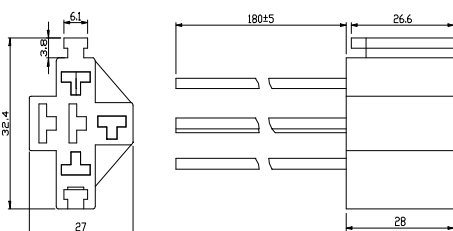
● FOR 961、Y41
SYSTEM RELAY USE
HD-1004-W-001



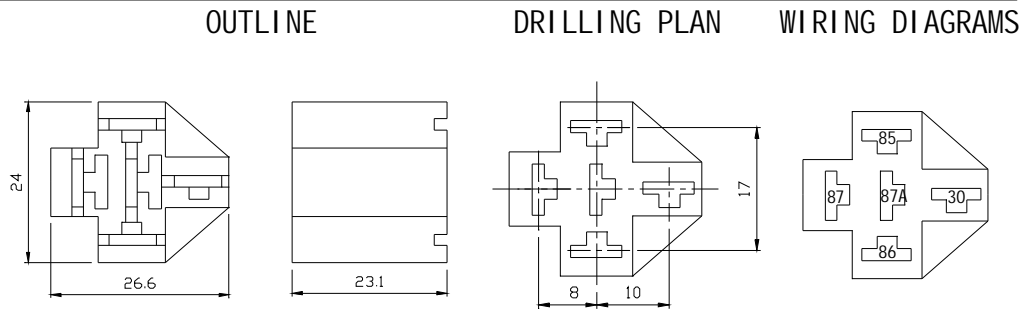
OUTLINE

DRILLING PLAN

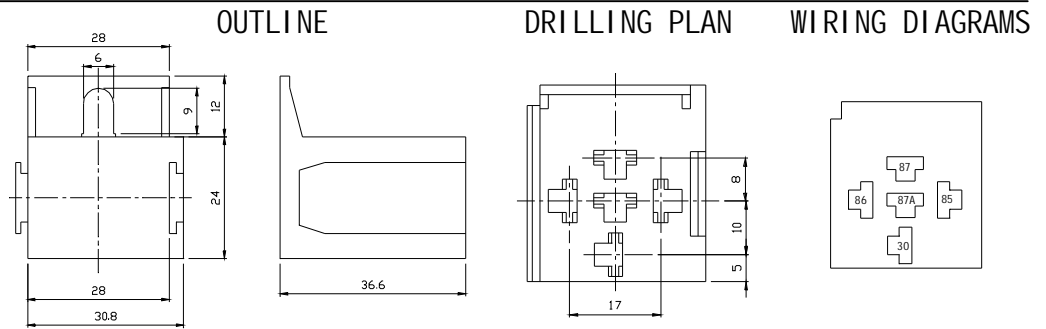
WIRING DIAGRAMS



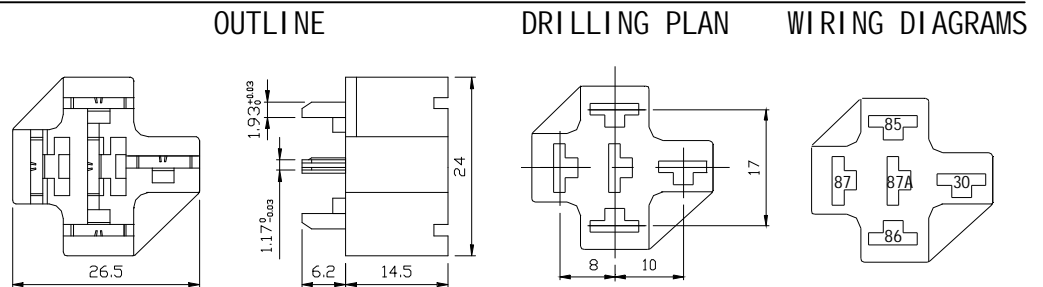
● FOR 961
SYSTEM RELAY USE
HD-1001



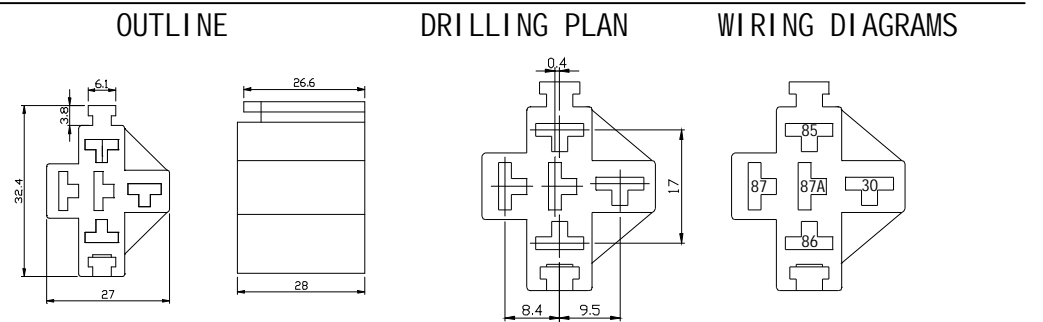
● FOR 961
SYSTEM RELAY USE
HD-1002



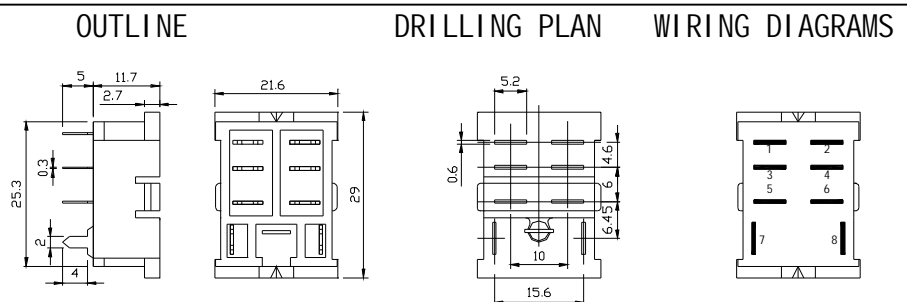
● FOR 961
SYSTEM RELAY USE
HD-1003



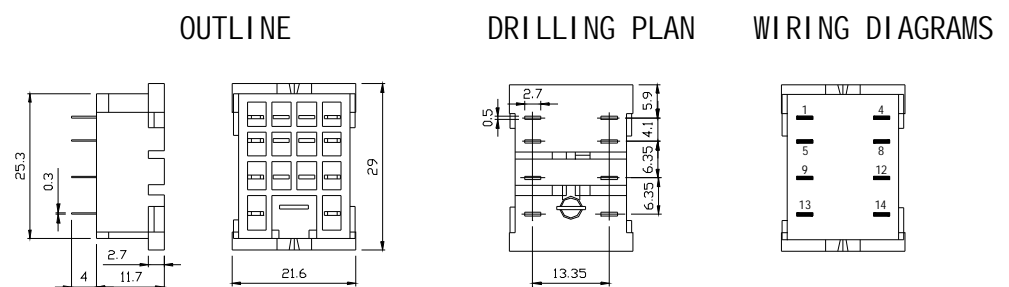
● FOR 961、Y41
SYSTEM RELAY USE
HD-1004



● FOR 951
SYSTEM RELAY USE
PT08-0



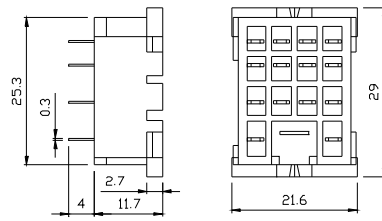
● FOR 952-2C
SYSTEM RELAY USE
PY08-0



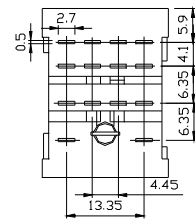
● FOR 952-4C
SYSTEM RELAY USE
PY14-0



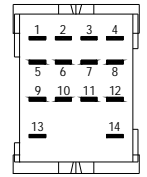
OUTLINE



DRILLING PLAN



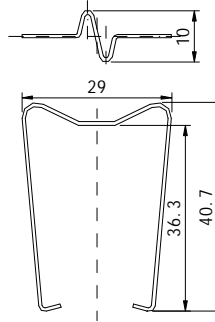
WIRING DIAGRAMS



● FOR 951、952
SYSTEM RELAY USE
PTC-01



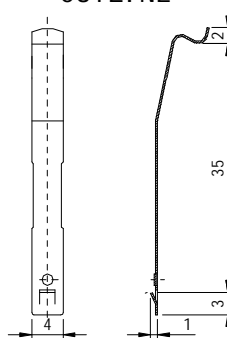
OUTLINE



● FOR 951、952
SYSTEM RELAY USE
PYC01



OUTLINE



● FOR 951、952
SYSTEM RELAY USE
PYC02



OUTLINE

